

The Apollo ATCA Platform

A. Albert, J. Butler, Z. Demiragli, K. Finelli, D. Gastler, E. Hazen*, J. Rohlf, S. Yuan

Boston University

E-mail: hazen@bu.edu

T. Costa de Paiva, V. Martinez Outschoorn, S. Willocq

University of Massachusetts Amherst

C. Strohman, P. Wittich

Cornell University

R. Glein, K. Ulmer

University of Colorado

We have developed a novel and generic open-source platform - Apollo - which simplifies the design of custom Advanced Telecommunications Computing Architecture (ATCA) blades by factoring the design into generic infrastructure and application-specific parts. The Apollo "Service Module" provides the required ATCA Intelligent Platform Management Controller, power entry and conditioning, a powerful system-on-module computer, and flexible clock and communications infrastructure. The Apollo "Command Module" is customized for each application and typically includes two large field-programmable gate arrays, several hundred optical fiber interfaces operating at speeds up to 28 Gbps, memories, and other supporting infrastructure. The command and service module boards can be operated together or independently on the bench without need for an ATCA shelf.

Topical Workshop on Electronics for Particle Physics TWEPP2019

2-6 September 2019

Santiago de Compostela - Spain

*Speaker.

1. Introduction

The development of high-performance Advanced Telecommunications Computing Architecture (ATCA) blades for high-energy physics applications has proven to be quite challenging [1, 2]. Many problems must be solved, including: delivery of adequate cooling for 400 W of power; high-performance communications interfaces for control, monitoring and data acquisition; optical fiber management; and industry-standard debug and programming interfaces for routine monitoring and recovery of "bricked" modules. The Apollo platform provides a relatively simple hardware environment and firmware and software toolkit which may be used to develop ATCA blades without reinventing all the required infrastructure.

We have constructed and tested 10 demonstrator modules which are currently in operation at test stands at collaborator institutes and at CERN. We describe the design in detail, show some test results and plans for further development and deployment in various LHC experiments.

This paper describes a demonstrator of the Apollo board developed in 2018 and 2019 at Boston University and Cornell University.

2. Overview

The ATCA standard defines a front board with dimensions 8 U x 280 mm x 6HP equipped with a face plate, top and bottom handles, indicator LEDs and a set of rear-facing backplane connectors. The Apollo service module (SM) is an ATCA-compliant front board with a large (7U x 180mm) cutout in which a command module (CM) containing application-specific processing elements (see Fig. 1). The top surfaces of the SM and CM PCBs are co-planar but the PCBs need not be of identical thickness. A minimum of 2 board-to-board connectors provide electrical and mechanical connectivity between CM and SM, and the boards are securely joined by metal splice plates. We are using the EXTreme Ten60Power SOCKET for power and low-speed signals as well as the ERF8-RA for high-speed signals, both by Samtec.

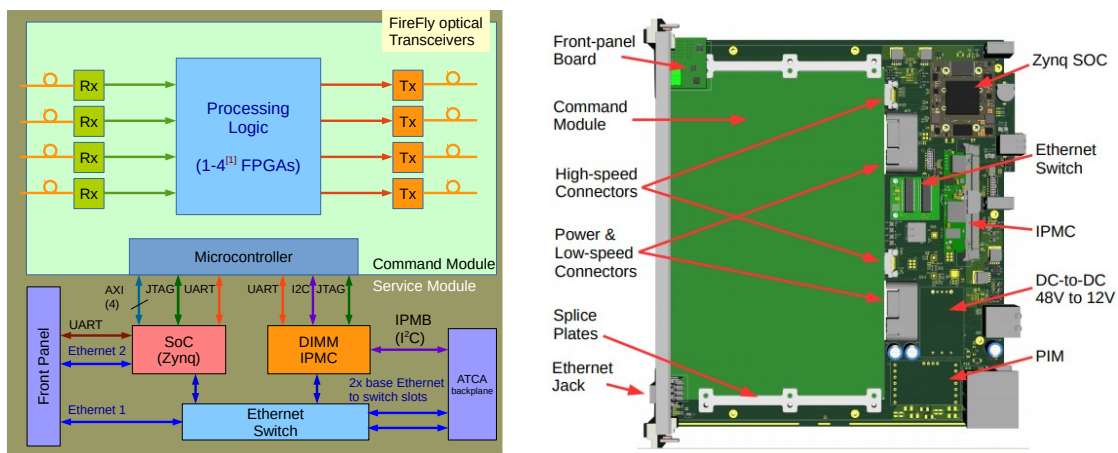


Figure 1: Apollo block diagram (left) and mechanics (right).

A block diagram is shown in Fig. 1. The SM contains power, communications and control infrastructure, providing I²C, UART, JTAG and AXI chip-to-chip links to the CM. The CM can

accommodate any hardware required for a particular application but the demonstrator contains two FPGAs as required by a typical LHC trigger/readout board.

3. IPMC

For the Apollo demonstrator we use the CERN IPMC[3], which is based on a hardware and software core provided by Pigeon Point. The essential functions of the IPMC are: (1) to read a set of critical parameters (temperature, current, voltage) from on-board sensors and deliver them to the ATCA shelf manager and (2) to manage power-up and power-down of the blade.

We have customized the IPMC extensively to perform several functions not foreseen by the ATCA standard: Xilinx Virtual Cable server for JTAG access; command interpreter accessible via TCP for GPIO and I²C debugging; serial-over-LAN access to console ports of System on Chip (SoC) and CM microcontroller; and a more granular power-up and power-down sequence.

4. SoC and Ethernet

A Xilinx Zynq SoC provides for overall control, monitoring, run control, and local DAQ functions for the blade. The demonstrator contains an Enclustra Mercury ZX1 module with a XC7Z035/45, providing a dual-core ARM Cortex-A9 CPU, 1 GB DDR3 SDRAM and two Ethernet ports. A total of four high-speed links (up to 10Gbps) are routed to the SM for AXI chip-to-chip use. In the production hardware, the SoC will be upgraded to one supporting at least 64-bit CPUs and 4 GB of RAM.

Ethernet access is provided to the IPMC and SoC. An unmanaged Ethernet switch (ESM[1]) has a total of 6 ports, of which 5 are used as follows: 2 for ATCA base Ethernet from the backplane; one for a front-panel RJ-45 jack; one for SoC access, and one for the IPMC. An additional RJ-45 jack provides access to a dedicated gigabit Ethernet port on the SoC.

5. Clocks

An overview of Apollo demonstrator clock distribution is shown in Fig. 2. The SM can receive LHC machine clocks over the backplane or synthesize them from crystal oscillators on-board. The LHC clock is used for optical links from the detector, driven by the CERN LpGBT ASIC[4], while fixed-frequency clocks are used for Ethernet, AXI, and 25 Gbps class optical links.

On the CM, clocks provided by the SM are distributed to a set of FPGA reference clock inputs, while an additional set of inputs is driven by local oscillators for bench testing.

6. Application-Specific Processing

The Apollo command-module is intended to be customized for each application, but they share many common features such as large FPGAs with ample logic resources and many high-speed fiber optic links. Three specific applications and their anticipated hardware needs are briefly presented.

The **CMS Pixel DAQ and Timing Card (DTC)** receives data from up to 512 front-end ASICs which deliver data in a complex, compressed data format. The total data rate for one DTC can

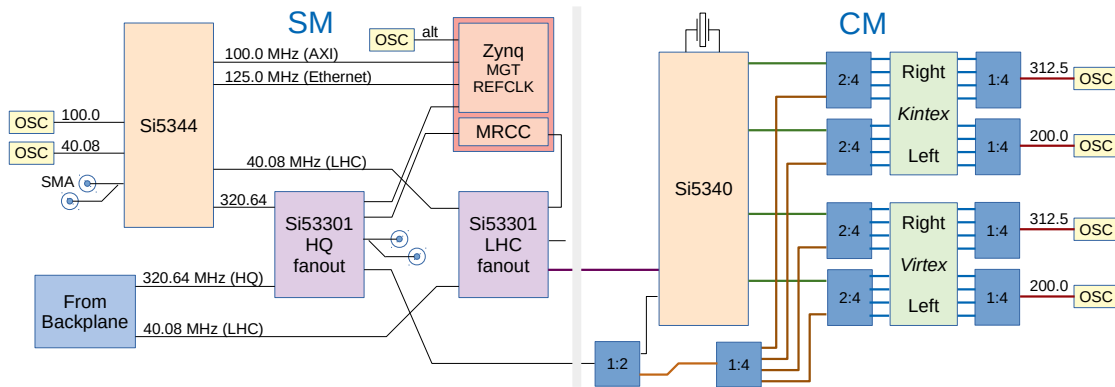


Figure 2: Apollo demonstrator clocking

approach 300Gbps. Triggers are received from the CMS central trigger and must be converted to tokens and transmitted to the front-end. The received compressed data stream must be parsed in real time to build events. A separate trigger stream is processed for CMS luminosity monitoring system. The DTC is currently foreseen to require two XCVU7P or similar Virtex Ultrascale+ class FPGAs, 72 optical links at 10Gbps and 16 optical links at 25Gbps. A total of 28 pixel DTCs are required for CMS.

The **CMS track finder** uses pattern-matching to identify coincidences between “tracklets” transmitted from the readout modules and then uses a Kalman filter to establish precise track parameters. This application requires a smaller number of links than the DTC but substantial FPGA resources. The track finder is expected to require one large or two smaller Virtex Ultrascale+ FPGAs and 60 optical links at 25Gbps. A total of between 126 and 180 track finder blades are required for CMS.

The **ATLAS Monitored Drift-Tube Trigger Processor (MDTTP)** performs a function similar to the combined functions of the DTC and track finder for CMS, but for the muon drift-tubes in ATLAS. Drift-tube hit data are received on about 60 fiber optic links, and a sophisticated two-dimensional fit is used to identify track segments. The segments are then joined to form tracks, and the Zynq processor is used to calculate transverse momentum for the identified tracks. In addition, drift-tube hits are buffered and stored until a trigger is received after which they are built into an event and sent to the DAQ. The MDTTP is expected to require one large Kintex Ultrascale+ FPGA and one Zynq Ultrascale+ SoC, along with 72 optical links at 10Gbps and 12 optical links at 25Gbps. A total of 64 MDTTP blades are required for ATLAS.

7. Prototypes and Test Results

A series of 10 demonstrator boards (Fig. 3) have been constructed. Each consists of a service module and a command module, and can receive two FPGAs, an XCKU15P in an A1760 package, and an XCVU7P in a B2104 package. A total of 88 FireFly¹ channels rated for 28Gbps and

¹<https://www.samtec.com/optics/optical-cable/mid-board/firefly>

36 FireFly channels rated for 14Gbps are provided along with the flexible clocking and power architecture described earlier.

Apollo blades have been deployed in several shelves at CERN and collaborator institutes. Remote access including firmware reprogramming and remote reset/power cycle have been proven. Optical links have been tested extensively at 10Gbps and 25Gbps and shown to be error-free.

The detailed design of customized command modules for specific applications is underway.

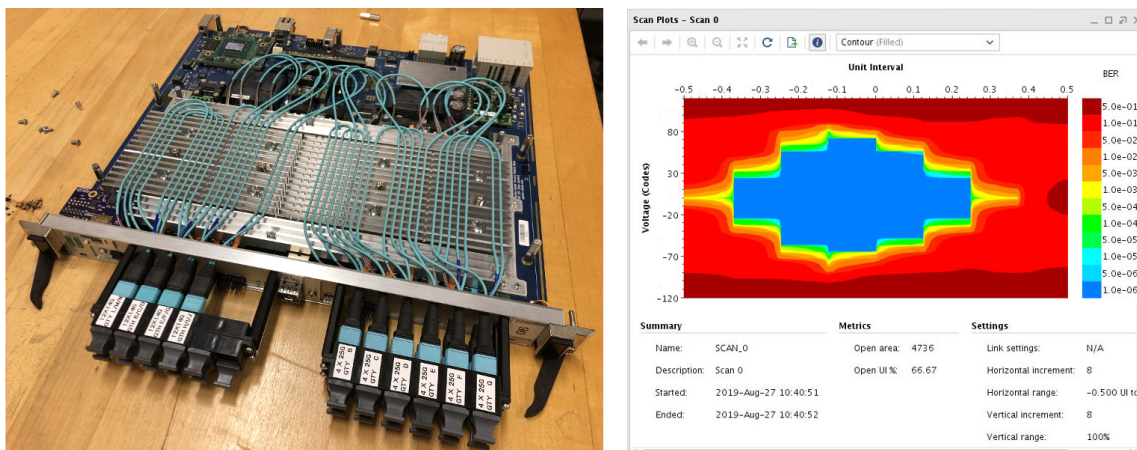


Figure 3: Demonstrator blade (left) – 25Gbps eye pattern (right)

A CM developed at Cornell University has been mated with a SM developed at Boston University, as shown in Fig. 3. Two large heat sinks cool the FPGAs while two smaller heat sinks cool the FireFly optical transceivers. Optical fiber bundles are pressed into grooves machined in the heat sinks. Although, Apollo can be operated on the bench it depends on the shelf cooling for realistic firmware designs.

Fig. 3 (right) shows an eye pattern for a fiber optic link test with loop-back fiber between two different quad multi-gigabit transceivers on the XCVU7P FPGA. The horizontal axis is in fraction of one bit period (40ps) and the vertical axis is arbitrary amplitude units. This represents a good result as logic “0” and logic “1” levels are well resolved in the middle of the bit period. The eye pattern shows only an error density of 10^{-6} but we operated many combinations of links for hours with no bit errors seen using a pseudorandom binary sequence.

8. Summary

We have developed a novel Apollo ATCA blade, designed for a wide range of applications. It is foreseen to be used in the CMS Pixel readout, the CMS track trigger, and the ATLAS drift-tube trigger processor.

References

- [1] W. Smith, *Next Generation ATCA Control Infrastructure for the CMS Phase-2 Upgrades*, in TWEPP 2017, [PoS\(TWEPP-17\)102](#)

- [2] A. Rose, *Serenity - An ATCA prototyping platform for CMS Phase-2*, in TWEPP 2018, [PoS \(TWEPP-18\) 115](#)
- [3] J. Mendez, *CERN-IPMC Solution for AdvancedTCA Blades*, in TWEPP 2018, [PoS \(TWEPP2018\) 059](#)
- [4] P. Moreira, *The lpGBT: a radiation tolerant ASIC for Data, Timing, Trigger and Control Applications in HL-LHC*, in TWEPP 2019, [PoS \(TWEPP2019\)](#)